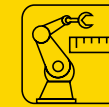


M-20iA (Hollow wrist)



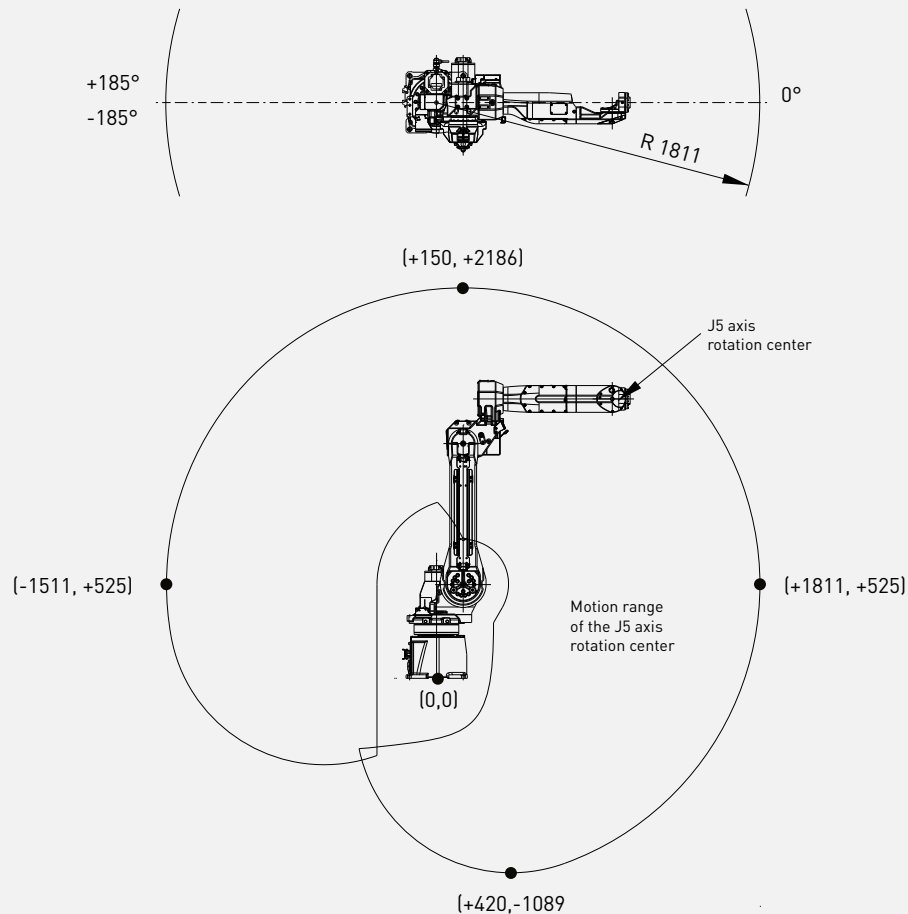
Max. load capacity
at wrist: **20 kg**



Max. Reach:
1811 mm

Controlled axes	Repeatability (mm)	Mechanical weight (kg)	Motion range (°)						Maximum speed (°/s)						J4 Moment/ Inertia (Nm/kgm ²)	J5 Moment/ Inertia (Nm/kgm ²)	J6 Moment/ Inertia (Nm/kgm ²)
			J1	J2	J3	J4	J5	J6	J1	J2	J3	J4	J5	J6			
6	± 0.08	250	370	260	458	400	360	900	195	175	180	360	360	550	44.0/1.04	44.0/1.04	22.0/0.28

Working Range



Robot

	M-20iA
Robot footprint [mm]	343 x 343
Mounting position Floor	●
Mounting position Upside down	●
Mounting position Angle	●



Controller

	30iB
Open air cabinet	-
Mate cabinet	○
A-cabinet	●
B-cabinet	○
iPendant Touch	●

Electrical connections

Voltage 50/60Hz 3phase [V]	380-575
Voltage 50/60Hz 1phase [V]	-
Average power consumption [kW]	1

Integrated services

Integrated signals on upper arm In/Out	8/8
Integrated air supply	1

Environment

Acoustic noise level [dB]	< 70
Ambient temperature [° C]	0-45

Protection

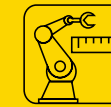
Body standard/optional	IP54 /IP55
Wrist & J3 arm standard/optional	IP67

● standard ○ on request - not available () with hardware and/or software option

M-20iA/12L (Long arm, Hollow wrist)

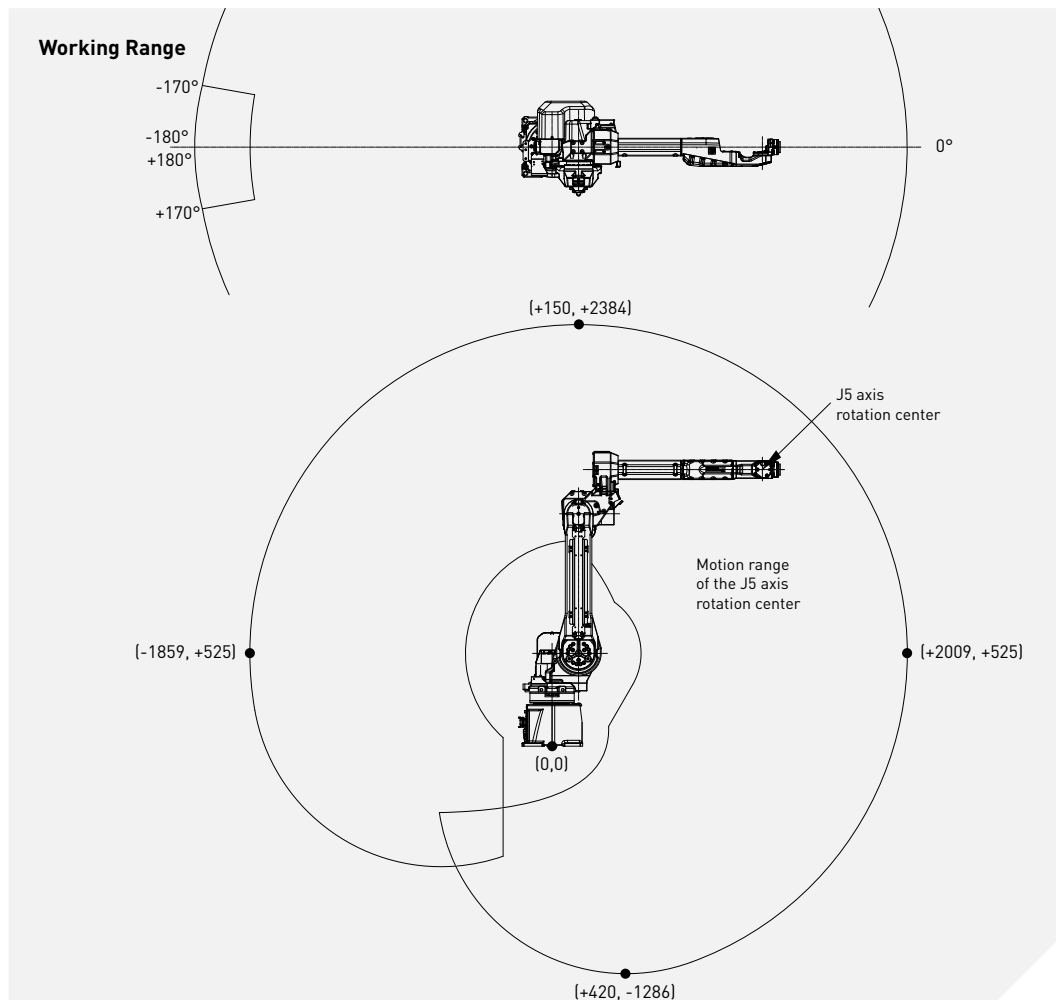


Max. load capacity
at wrist: **12 kg**



Max. Reach:
2009 mm

Controlled axes	Repeatability (mm)	Mechanical weight (kg)	Motion range (°)						Maximum speed (°/s)						J4 Moment/ Inertia (Nm/kgm ²)	J5 Moment/ Inertia (Nm/kgm ²)	J6 Moment/ Inertia (Nm/kgm ²)
			J1	J2	J3	J4	J5	J6	J1	J2	J3	J4	J5	J6			
6	± 0.08	250	370	260	460,6	400	360	900	200	175	190	430	430	630	22.0/0.65	22.0/0.65	9.8/0.17



Robot

	M-20iA/12L
Robot footprint [mm]	343 x 343
Mounting position Floor	●
Mounting position Upside down	●
Mounting position Angle	●



Controller

	30iB
Open air cabinet	-
Mate cabinet	○
A-cabinet	●
B-cabinet	○
iPendant Touch	●

Electrical connections

Voltage 50/60Hz 3phase [V]	380-575
Voltage 50/60Hz 1phase [V]	-
Average power consumption [kW]	1

Integrated services

Integrated signals on upper arm In/Out	8/8
Integrated air supply	1

Environment

Acoustic noise level [dB]	< 70
Ambient temperature [° C]	0-45

Protection

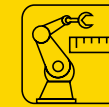
Body standard/optional	IP54 /IP55
Wrist & J3 arm standard/optional	IP67

● standard ○ on request - not available () with hardware and/or software option

M-20iA/20M (High inertia version)



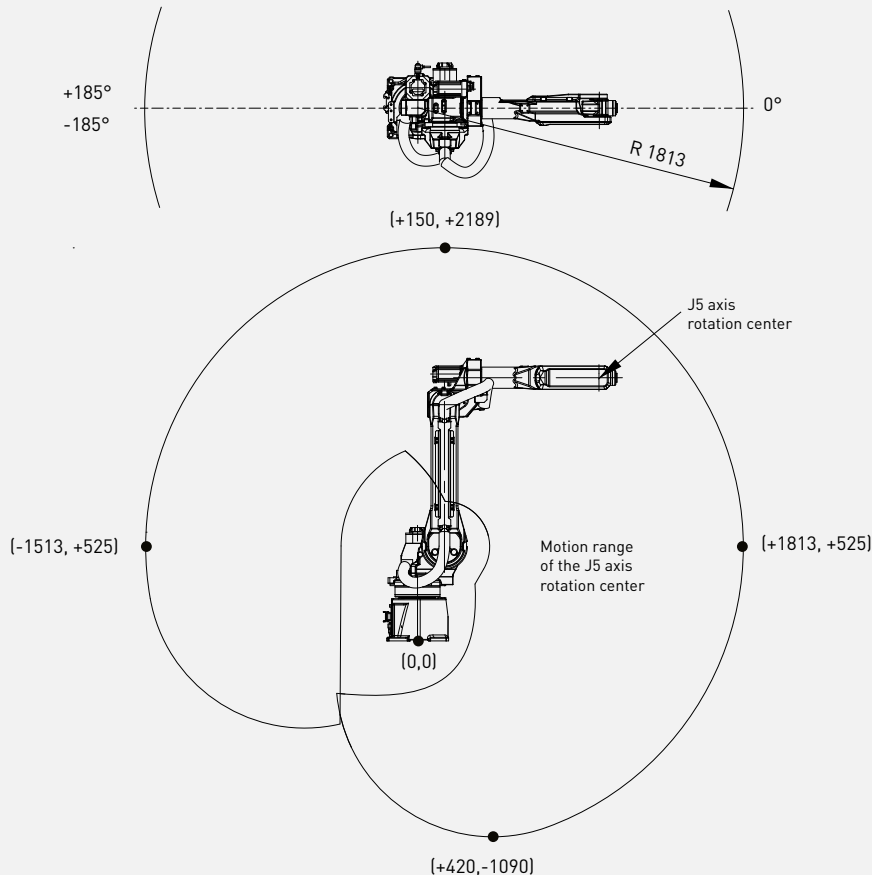
Max. load capacity
at wrist: **20 kg**



Max. Reach:
1813 mm

Controlled axes	Repeatability (mm)	Mechanical weight (kg)	Motion range (°)						Maximum speed (°/s)						J4 Moment/ Inertia (Nm/kgm ²)	J5 Moment/ Inertia (Nm/kgm ²)	J6 Moment/ Inertia (Nm/kgm ²)
			J1	J2	J3	J4	J5	J6	J1	J2	J3	J4	J5	J6			
6	± 0.08	250	370	260	460,6	400	280	900	195	175	180	405	405	615	45.1/2.01	45.1/2.01	30.0/1.01

Working Range



Robot

	M-20iA/20M
Robot footprint [mm]	343 x 343
Mounting position Floor	●
Mounting position Upside down	●
Mounting position Angle	●



Controller

	30iB
Open air cabinet	-
Mate cabinet	○
A-cabinet	●
B-cabinet	○
iPendant Touch	●

Electrical connections

Voltage 50/60Hz 3phase [V]	380-575
Voltage 50/60Hz 1phase [V]	-
Average power consumption [kW]	1

Integrated services

Integrated signals on upper arm In/Out	8/8
Integrated air supply	1

Environment

Acoustic noise level [dB]	< 70
Ambient temperature [° C]	0-45

Protection

Body standard/optional	IP54 /IP55
Wrist & J3 arm standard/optional	IP67

● standard ○ on request - not available () with hardware and/or software option

M-20iB/25



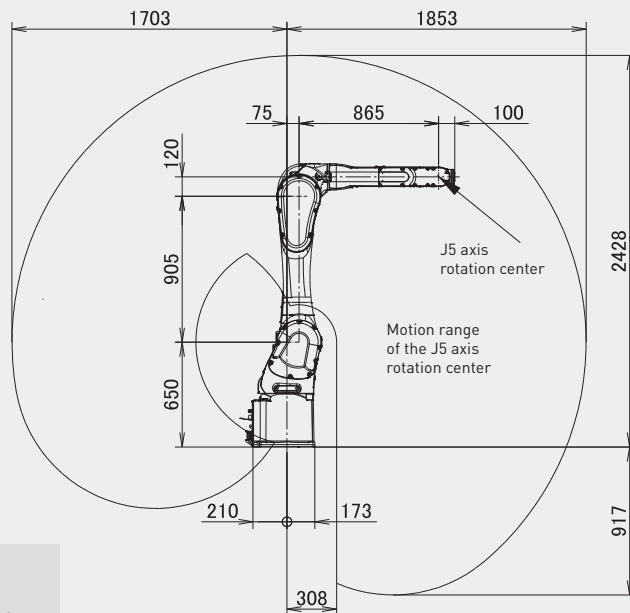
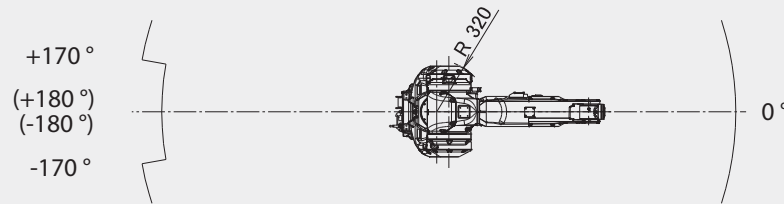
Max. load capacity
at wrist: **25 kg**



Max. reach:
1853 mm

Controlled axes	Repeatability (mm)	Mechanical weight (kg)	Motion range (°)						Maximum speed (°/s)						J4 Moment/ Inertia (Nm/kgm ²)	J5 Moment/ Inertia (Nm/kgm ²)	J6 Moment/ Inertia (Nm/kgm ²)
			J1	J2	J3	J4	J5	J6	J1	J2	J3	J4	J5	J6			
6	± 0.05	250	340(360)	240	303	400	290	540	205	205	260	415	415	880	51/2.2	51/2.2	31/1.2

Working range



Motion range may be restricted according to the mounting angle!



Robot

	M-20iB/25
Robot footprint [mm]	383 x 343
Mounting position Floor	●
Mounting position Upside down	●
Mounting position Angle	●



Controller

	30iB
Open air cabinet	-
Mate cabinet	○
A-cabinet	●
B-cabinet	-
iPendant Touch	●

Electrical connections

Voltage 50/60Hz 3phase [V]	380-575
Voltage 50/60Hz 1phase [V]	-
Average power consumption [kW]	1

Integrated services

Integrated signals on upper arm In/Out	8/8
Integrated air supply	2

Environment

Acoustic noise level [dB]	< 70
Ambient temperature [° C]	0-45

Protection

Body standard/optional	IP67
Wrist & J3 arm standard/optional	IP67

● standard ○ on request - not available () with hardware and/or software option